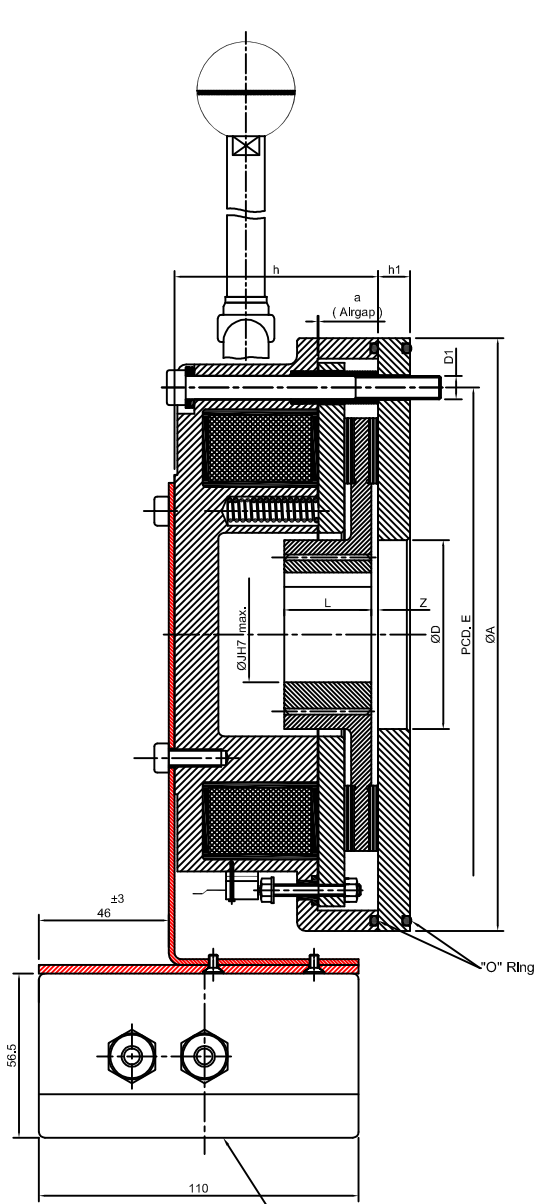
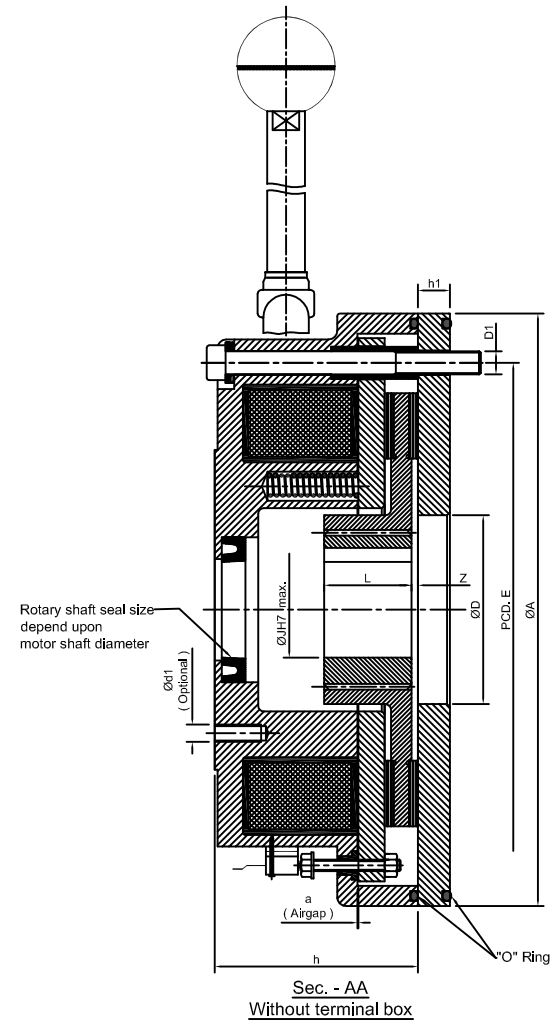


Brake shown with Manual Hand Release
(Scale - N. T. S.)

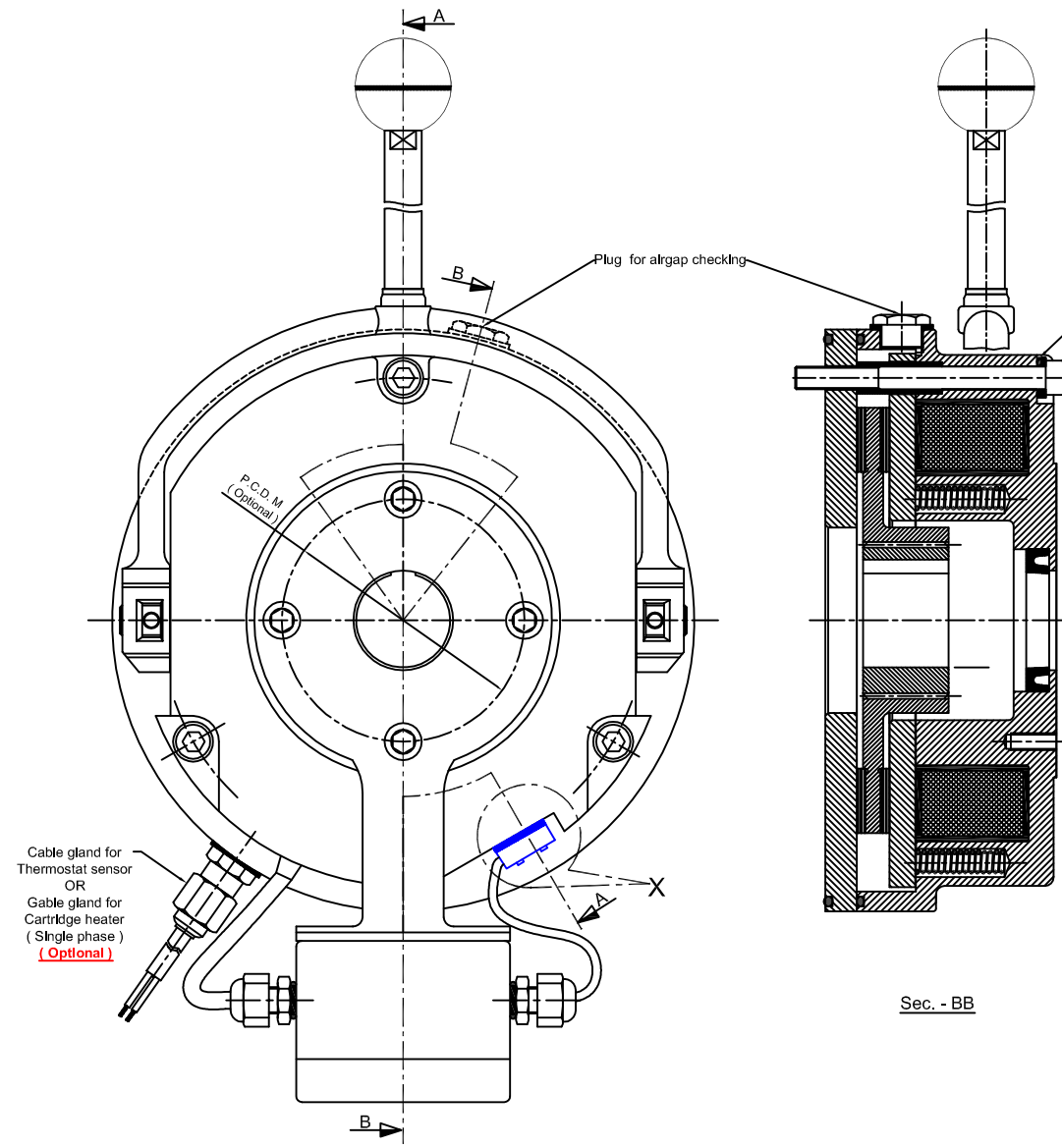
'U' Gap	
Brake size	±0.1 'U'
14,450,06	1
14,450,08	1
14,450,10	1
14,450,12	1
14,450,14	1
14,450,16	1.5
14,450,18	1.5
14,450,20	1.5
14,450,25	2
14,450,31	2



Sec. - AA
With terminal box
(Optional)
Fiberglass reinforced polyester terminal box (IP 66)



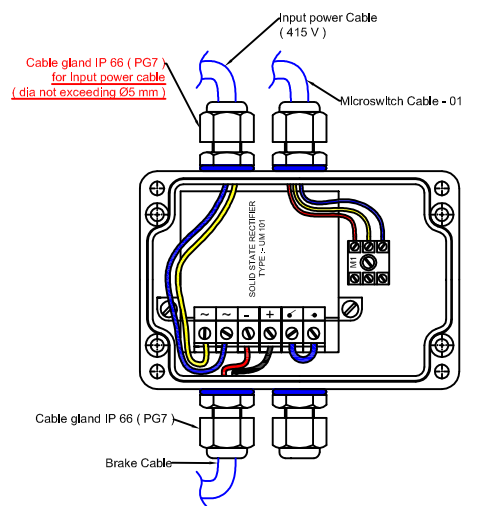
Sec. - AA
Without terminal box



Sec. - BB

Parameters

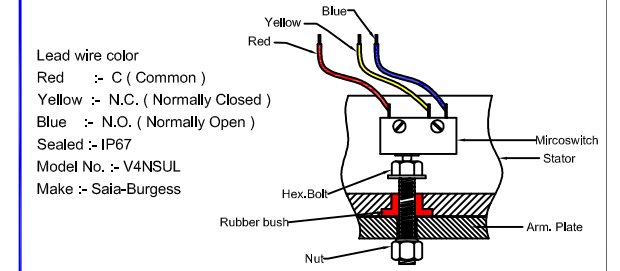
Brake Size	Torque M RAT. (Nm)	Input Power P20 [w]	ØA ±0.5	ØD H8	P.C.D - E ±0.1	P.C.D - M (Optional) ±0.1	ØJH7	D1	d1	h +2	h1 ±0.5	L -0.2	Z +0.1	a ±0.05 (airgap)
14,450,06	4	20	100	31	72	37	10,11,12,14,15	M4 X 3 Nos.	M4 X 4 Nos.	36	6	18	1	0.2
14,450,08	8	25	120	41	90	49	11,12,14,15,19, 20	M5 X 3 Nos.	M5 X 4 Nos.	41	7	20	1.5	0.2
14,450,10	16	30	145	40	112	54	11,12,14,15,19, 20	M6 X 3 Nos.	M5 X 4 Nos.	50	9	20	2	0.2
14,450,12	32	40	166	45	132	64	20,24,25	M6 X 3 Nos.	M5 X 4 Nos.	55	9	25	2	0.3
14,450,14	60	50	180	55	145	75	20,24,25,28,30, 32	M8 X 3 Nos.	M6 X 4 Nos.	63.3	11	30	2	0.3
14,450,16	100	76	204	65	170	85	25,28,30,32,34, 35	M8 X 3 Nos.	M6 X 4 Nos.	70	11	30	2.25	0.3
14,450,18	150	85	233	75	196	95	30,35,38,40,42	M8 X 6 Nos.	M8 X 4 Nos.	83	11	35	3	0.4
14,450,20	260	100	271	90	230	110	35,40,42,45,48	M10 X 6 Nos.	M10 X 4 Nos.	96	11	40	3.5	0.4
14,450,23	315	105	271	90	230	110	35,40,42,45,48	M10 X 6 Nos.	M10 X 4 Nos.	96	11	40	3.5	0.4
14,450,25	400	110	325	120	278	140	45,48,50,52,55,60, 65	M10 X 6 Nos.	M10 X 4 Nos.	108	12.5	50	4.5	0.5
14,450,31	600 / 800	140 / 180	325	120	278	140	45,48,50,52,55,60, 65	M10 X 6 Nos.	M10 X 4 Nos.	121	16	50	4.5	0.5
14,450,40	1600	340	390	145	325	160	50,52,55,60,65,70, 75,80,85,90	M10 X 6 Nos.	M10 X 4 Nos.	133.8	20	64	4.5	0.5
14,450,50	2500	440	552	210	480	--	60,65,70,75,80,85,90 95,100,110	M16 X 6 Nos.	--	183.1	30	83	6.5	0.8



Important :-

- Standard voltages : 24 V DC, 96 V DC, 190 V DC & 220 V DC. (Other voltages on request.)
- P : Coil power at 20° C.
- Permissible voltage change + 5% to - 10%.
- Recommended ISO shaft tolerances Up to Ø50 mm = k6, Over Ø50 = m6.
- Keyways to DIN 6885 / IS : 2048.
- Specifications are subject to change without notice.

Note:- Optional Items will be provided on customer's request only.



"X" View for Microswitch Detail

All dimension are in mm.

Scale - N.T.S.

Drawing No. - 14.450.xx - 8001			
Drg. By.	Himanshu	Rev. no.	Rev. Date
Appr. By.	V.R.Sharma	00	12/10/13
Date	12/10/13	01	24/10/13

DC Spring Applied Brake 14.450.xx
With Manual hand release (IP - 66)



Emco Dynatorq Pvt. Ltd.
1002 / 1003, GIDC. Waghodia, Baroda 391 760.
Tel. - +91 (0) 2668 262186 / 263089
Fax - +91 (0) 2668 262180