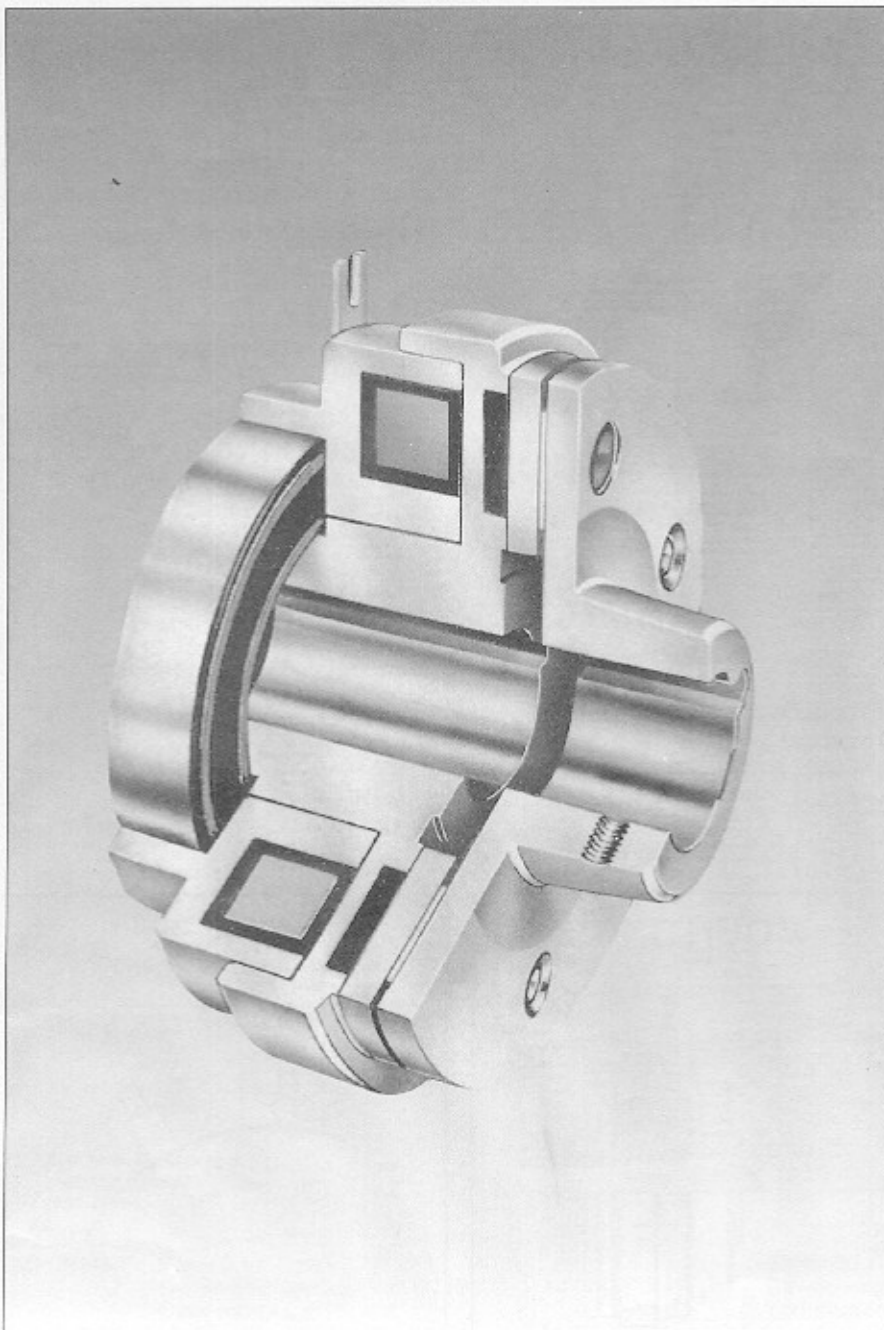


EMCO-Simplatroll™

INDUSTRIAL ELECTROMAGNETIC BRAKES & CLUTCHES

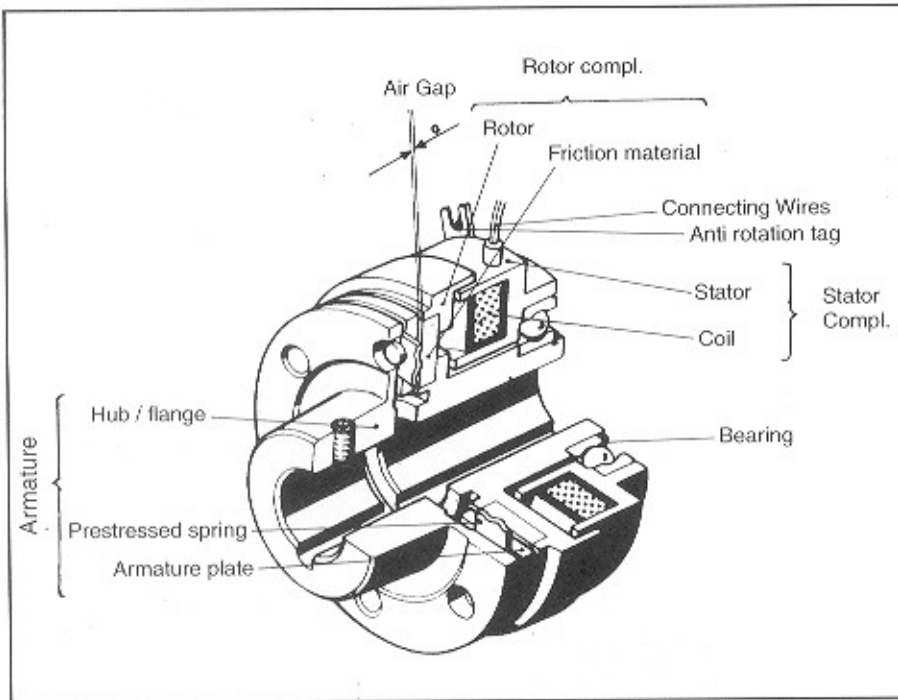


SHAFT MOUNTED ELECTROMAGNETIC CLUTCH

(Normally Off)
Type 14. 105. □ □
Designs : 3.1 3.3 3.5

SALIENT FEATURES

- Single Plate Dry Type.
- Zero Backlash.
- Residual-free.
- Fast Switching Times.
- High Operating Reliability.
- High Operating Frequency.
- Compact Dimensions.
- Simple Construction.
- Maintenance-Free.
- Long Life.
- Unique Pre-Stressed Spring.
- Stationary Field (No Slip Rings).
- Consistent Operating Characteristics.
- Simple Wear Compensation Adjustment.
- Slotted Armature For Torque Stability.
- Coil with Class "F" Insulation.
- Special Friction Material.
- Simple installation.
- Low Inertia Of Rotating Parts.
- Raw Materials To DIN Standards.
- No Restriction on Mounting Position,



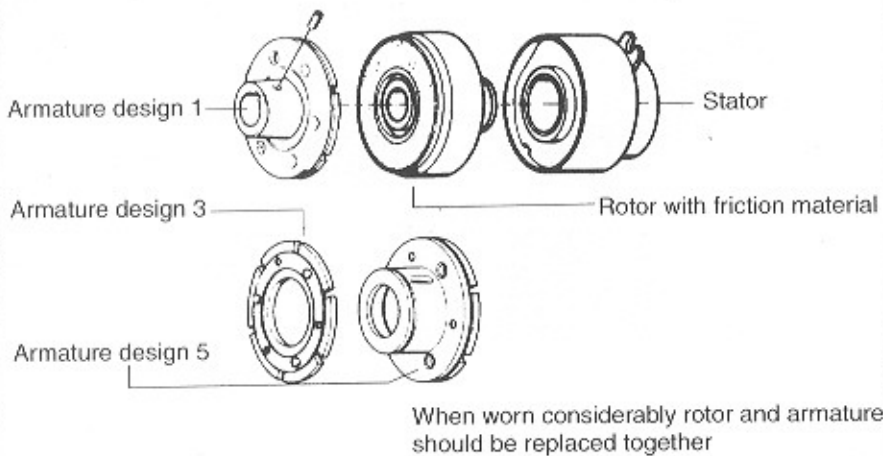
WORKING

When supplied with D. C. Voltage the armature is attracted towards the friction material of the rotor and transmits the torque free of backlash. When the supply is interrupted, the Prestressed spring pulls the armature back into its original position free of residual torque even when mounted vertically.

SWITCHING

Our Clutches require D.C. supply voltage which is obtained through A. C. / D. C. rectification. Normally switching is carried out on the A. C. side. However, for much faster engagement / disengagement time switching is carried out on the D. C. side for which a suitable arc suppressor and a capacitor is a must to protect the coil, switches etc. from high induction voltages produced during switching off power supply. Engagement/ disengagement time is a function of nominal release distance. (air-gap) and type of switching.

COMPONENTS

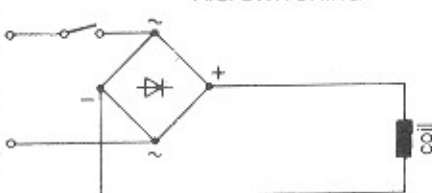


ORDERING INFORMATION

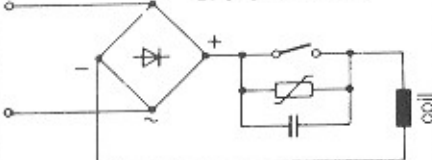
1. Type
2. Size
3. Design
4. Bore of Armature
5. Bore of Rotor.
6. Voltage

SWITCHING

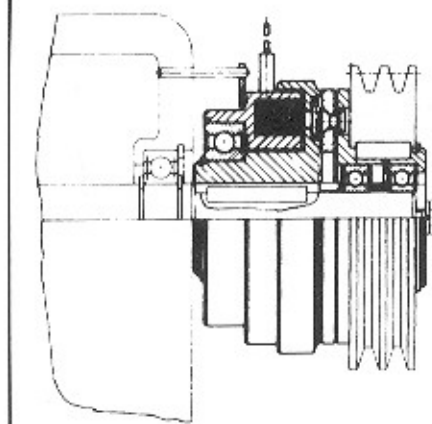
A.C. SWITCHING



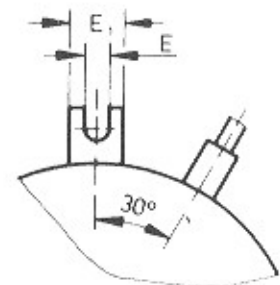
D. C. SWITCHING



MOUNTING

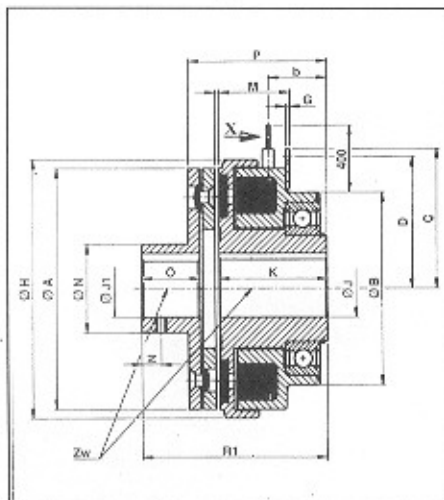


VIEW "x"

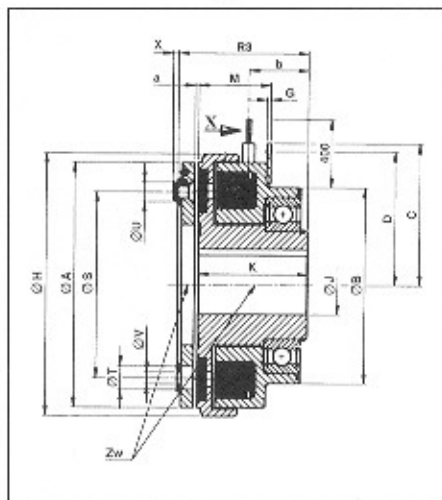


DIMENSIONS

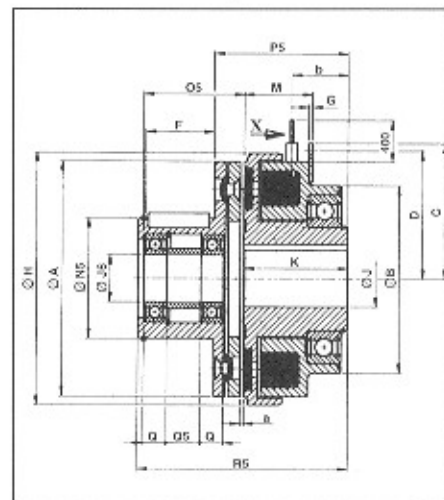
Design 3.1



Design 3.3



Design 3.5



Tapped holes on dimension 'Z' on request.

PARAMETERS

Size		06	08	10	12	16	20	25	
Torque	M_s (Nm)	7.5	15	30	60	120	240	480	
Max. Speed	[min ⁻¹]	8000	6000	5000	4000	3000	3000	2000	
Input Power	P_{55} (W)	15	20	28	35	50	66	85	
Inertia	Rotor	1.33	2.94	6.66	24.6	69	215	566	
	Armature	1 [kg cm ²]	0.8	1.71	6.54	18	63.3	190	480
	Armature	3 [kg cm ²]	0.42	1.18	4.72	13	48	137	358
	Armature	5 [kg cm ²]	0.92	2.82	9.2	25.8	88.8	258	720
Permissible misalignment	Z_w [mm]	0.05	0.05	0.05	0.05	0.1	0.1	0.1	
	Ø A	63	80	100	125	160	200	250	
	Ø B	64	88	85	100	127	151.5	152.4	
	Ø C	41	50	61	72.5	89	119	145	
	Ø D	57	46	57	68.5	83	113	139	
	Ø E	4.1	4.1	4.1	4.1	8.1	8.1	8.1	
	E	10	12	14	14	20	20	20	
	F	17	22	27	36.5	44.4	53.4	63.5	
	G	1.5	1.5	2.5	2.5	3.5	3.5	3.5	
	Ø H	88	85.5	107	134.3	170	214.3	266.5	
	K	40	43.5	49	55	61.5	74	81	
	M	26	28	32.5	36	41.7	48.1	55.2	
	Ø N	27	32	42	49	65	83	105	
	Ø N ₄₅	38	45	55	64	75	90	115	
	O	15	20	25	30	38	48	55	
	O ₄	22.7	32.2	39.4	51.5	63	77.9	91.9	
	P	47.5	52	60	68	77.5	94.4	105	
	P ₅	47	52	60	68	77.5	95.4	105	
	Q	8	9	12	12	13	15	19	
	Q ₄	4	5.5	6.5	18	28	34	38	
	R ₄	58	68	80	92	108.5	133.5	149	
	R ₅	44	48	54.9	62	73.5	85.4	93.9	
	R ₆	67	77	90	108	127.5	155.4	175	
	Ø S	46	60	76	95	120	158	210	
	Ø T	3 x 6.3	3 x 8	3 x 10.5	3 x 12	3 x 15	3 x 18	3 x 22	
	Ø U	3 x 5.5	3 x 7	3 x 9	3 x 10	3 x 13	3 x 16	3 x 20	
	Ø V	3 x 3.1	3 x 4	3 x 5.15	3 x 6.1	3 x 8.2	3 x 10.2	3 x 12.2	
	X	1.4	1.7	2.1	2.5	3	4	4.3	
	Z	5	6	6	10	10	15	20	
	a	0.2	0.2	0.2	0.3	0.3	0.5	0.5	
	b	22	24	27.5	29.5	35	42.5	45.5	
	Ø J ¹²	..	10,15	17,20	20,25,30	20,25,30	25,30,40	40,45,50	
		...	20	25	30	40	50	60	
	Ø J ¹⁰	..	10	10	14	14	20	25	
		...	10,12,15	14,17,20	20,25,28	25,28,30	30,35,40	40,45,50	
		...	17	20	30	50	45	60	
	Ø J ₅ ¹²	..	12	15	20	50	30	40	
		...						45	

Also available following clutches

Size	Torque (Nm)
31	630
40	1250
50	2500

Please call for more details

Ø Circlip grooves to DIN 472

- pilot bore, no keyway Ø J₁
- standard bores
- max. bores

IMPORTANT : 1Nm = 0.102 kgm = 0.737 lb. ft.
Standard voltages : 24 V. D. C. ; 96 V. D. C. ; 190 V. D. C.
Other voltages on request

Keyways to IS : 2048 wherever possible otherwise to DIN standard
Specifications are subject to change without notice

SIZE SELECTION

Approximate necessary Torque or Size of a unit for applications involving low inertia, low operating frequency etc. is determined as :

$$\text{TORQUE} = [9550 \times (\text{K.W.} / \text{SPEED})] \times \text{SAFETY FACTOR [K]}$$

SAFETY FACTOR [K]

To ensure necessary transmission safety also under extreme operating conditions adequate safety factor must be considered, the value of which depends on operating conditions namely, the type of load, prime mover etc.

TYPICALLY

[K]

For Electric Drive

Low masses, equal loading & non-intermittent operation	[2.0]
Low masses, light shock load & intermittent operation	[2.5]
Medium masses, light shock load & intermittent operation	[3.0]
Large masses, strong shock load & intermittent operation	[4.0]

Non-Overhauling Loads	[2-3]
Overhauling Loads	[3-4]

Diesel Engine Drive	[4-5]
Compressor Driven	[5-6]

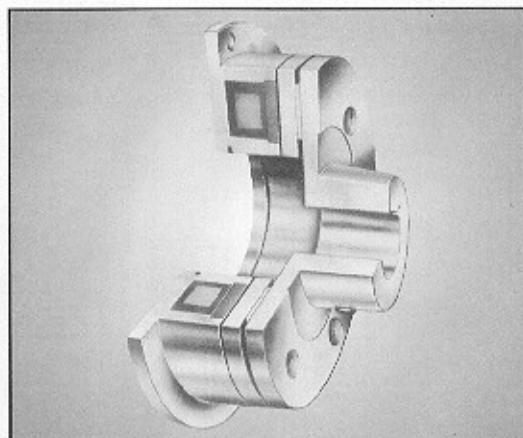
However, we recommend you to perform detailed calculations for which please consult us.

LIFE

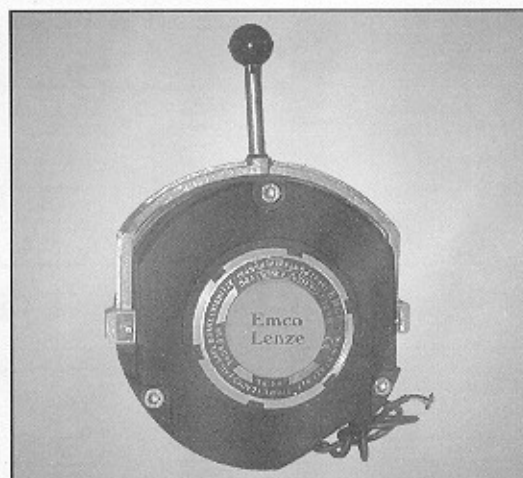
The life of the friction liner depends on a number of factors namely, the inertia to be retarded or stopped, the relative speed, the operating frequency, the temperatures at the friction surfaces etc.

These brakes must run dry. Oil, grease, foreign materials, similar such lubricant affect life and characteristics of friction materials. No general statement can be made about life of friction materials.

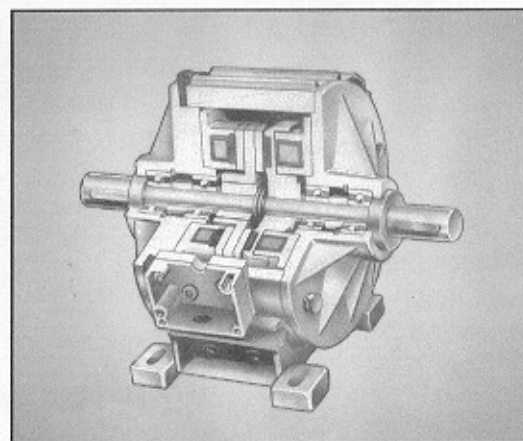
OUR OTHER PRODUCTS



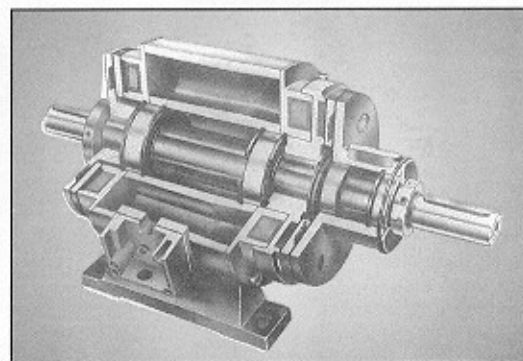
(1) Flange Mounted Electromagnetic Brake (Normally off)
Type 14.112 & 14.115
Torque upto 2500 Nm.



(2) D.C. Fail Safe Brake (Normally on)
Type 14.458
Torque upto 800 Nm.



(3) Split Shaft Clutch/Brake Combination (Normally off)
Type 14.125
Type 14.137 (Open)
Torque upto 2500 Nm.



(4) Single Shaft Clutch-Brake / Double Clutch Combination (Normally off)
Type 14.121 & 14.128
Torque upto 2500 Nm.

EMCO DYNATORQ PVT. LTD.

1st floor, Sita Mauli, Above Bank of Maharashtra,
Madanlal Dhingra Road, Panch Pakhadi,
Thane (W), 400 602, INDIA
Tel. : 022 - 2540 5488 / 5490 / 2545 2244
Fax : 022 - 2545 2233
E-mail : mktg@emco-dynatorq.in
Website : www.emco-dynatorq.in